

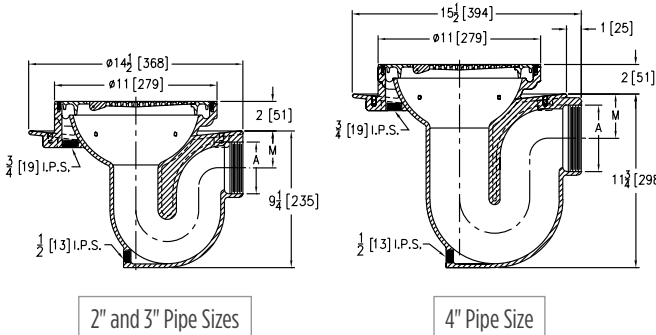
Z300 THOROFLUSH DRAIN



ENGINEERING SPECIFICATION

Zurn ZN300 11" top thoroflush drain with integral double wall trap features cast iron body with white acid resistant epoxy coated exterior and interior, side outlet with seepage pan, nickel bronze flushing rim top, and slotted hinged grate.

Dimensions in inches [mm]		Grate Open Area sq in [cm ²]	Approximate Weight lb [kg]
A Pipe Size	M		
2 [51]	3 [76]	18 [116]	50 [23]
3 [76]	2-1/2 [64]		
4 [102]	3 [76]		



PREFIXES	DESCRIPTION	A PIPE SIZE	LIST PRICE
ZN300*	Cast Iron Body with A.R.C. Interior and Exterior with Polished Nickel Bronze Top	2"	2,492.00
		3", 4"	2,587.00
ZB300	Cast Iron Body with A.R.C. Interior and Exterior with Polished Bronze Top	2"	2,348.00
		3", 4"	2,444.00

OUTLETS (SPECIFY PIPE SIZE IN INCHES AND TYPE OF OUTLET)			
OUTLET TYPE	PIPE SIZE/OUTLET TYPE	ADD	
IP	Threaded	2IP, 3IP, 4IP	N/C
SUFFIXES			
			ADD
-C	Clamping Collar		194.00
-FG	Free Set Grate		292.00
-IG	Integral Grate		107.00
-SC	Solid Cover		744.00
-ST	Solid Hinged Top		744.00
-VP	Vandal-Proof Screws in Frame		N/C
-WB	Water Supply Control Box (See Z1464)		5,330.00
BEST SELLER			LIST PRICE
ZN300-3IP			2,492.00

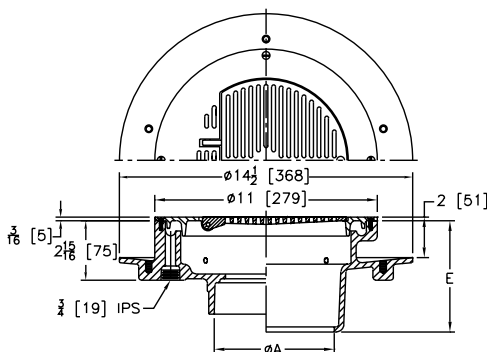
Z310 THOROFLUSH DRAIN



ENGINEERING SPECIFICATION

Zurn ZN310 11" top thoroflush drain features cast iron body with white acid resistant epoxy coated exterior and interior, bottom outlet with seepage pan, nickel bronze flushing rim top, and slotted hinged grate.

A Pipe Size inch [mm]	Grate Open Area sq in [cm ²]	Approximate Weight lb [kg]
2 [51], 3 [76], 4 [102]	18 [116]	20 [9]



PREFIXES	DESCRIPTION	A PIPE SIZE	LIST PRICE
ZN310*	Cast Iron Body with A.R.C. Interior and Exterior with Polished Nickel Bronze Top	2", 3", 4"	2,604.00
ZB310	Cast Iron Body with A.R.C. Interior and Exterior with Polished Bronze Top	2", 3", 4"	2,409.00

OUTLETS (SPECIFY PIPE SIZE IN INCHES AND TYPE OF OUTLET)			
OUTLET TYPE	PIPE SIZE/OUTLET TYPE	E BODY HT. DIM.	ADD
IP	Threaded	2IP, 3IP, 4IP	5-1/2" 80.00
NL	Neo-Loc	2NL, 3NL, 4NL	4-5/8" N/C
SUFFIXES			
			ADD
-C	Clamping Collar		194.00
-FG	Free Set Grate		292.00
-IG	Integral Grate		107.00
-ST	Solid Hinged Top		744.00
-TC	Neo-Loc Test Cap Gasket (2", 3", 4" NL Bottom Outlet Only)		24.00
-VP	Vandal-Proof Screws in Frame		N/C
-WB	Water Supply Control Box (See Z1464)		5,330.00
SEE LEGACY ADDENDUM ON PAGE 369 FOR MORE INFORMATION			

*Regularly furnished unless otherwise specified.

Items designated as Best Sellers are most specified and are generally in stock for shipment.

⌚ This symbol denotes a product that is engineered to reduce installation and rework time.

For additional product information, please visit www.zurn.com

INTRO
ROOF DRAINS
FLOOR DRAINS
T, P, BW VALVES
INTERCEPTORS
CARRIERS
HYDRANTS
CLEANOUTS
WHA
SS DRAINS
FAB SS DRAINS
SAN-FLOOR
TECH INFO